

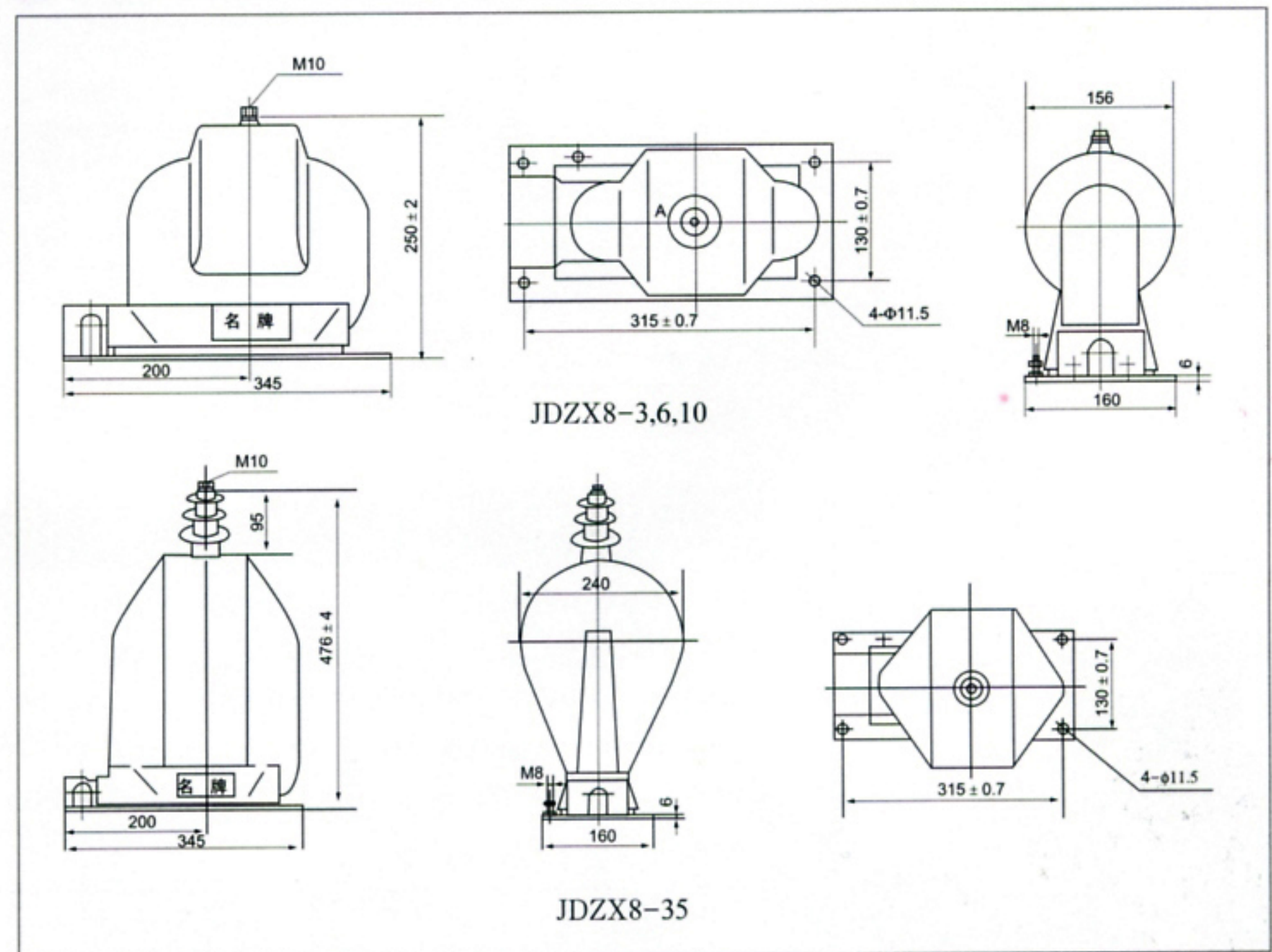
Table 3

Type	Highest operating voltage(r.m.s.) KV	Rated power frequency withstand voltage (1min.r.m.s.) KV	Rated impulse withstand voltage 1.2/50ms (peak) KV
JDZX8-3	3.5	24	40
JDZX8-6	6.9	32	60
JDZX8-10	11.5	42	75
JDZX8-35	40.5	95	200

Table 4

Type	Rated primary voltage (V)	Rated secondary voltage (V)	Rated voltage of residual winding (V)	Accuracy and rated output (VA)				Max. Output (VA)
				0.2	0.5	1	3	
JDZX8-3	$3000/\sqrt{3}$	100/ $\sqrt{3}$	100/3	30	80	240	600	1000
JDZX8-6	$6000/\sqrt{3}$							
JDZX8-10	$11000/\sqrt{3}$							
JDZX8-35	$35000/\sqrt{3}$			60	120	360	1000	1800

JDZX8 Overall dimension



LB6-35 Transformers Outdoor Oil-insulated

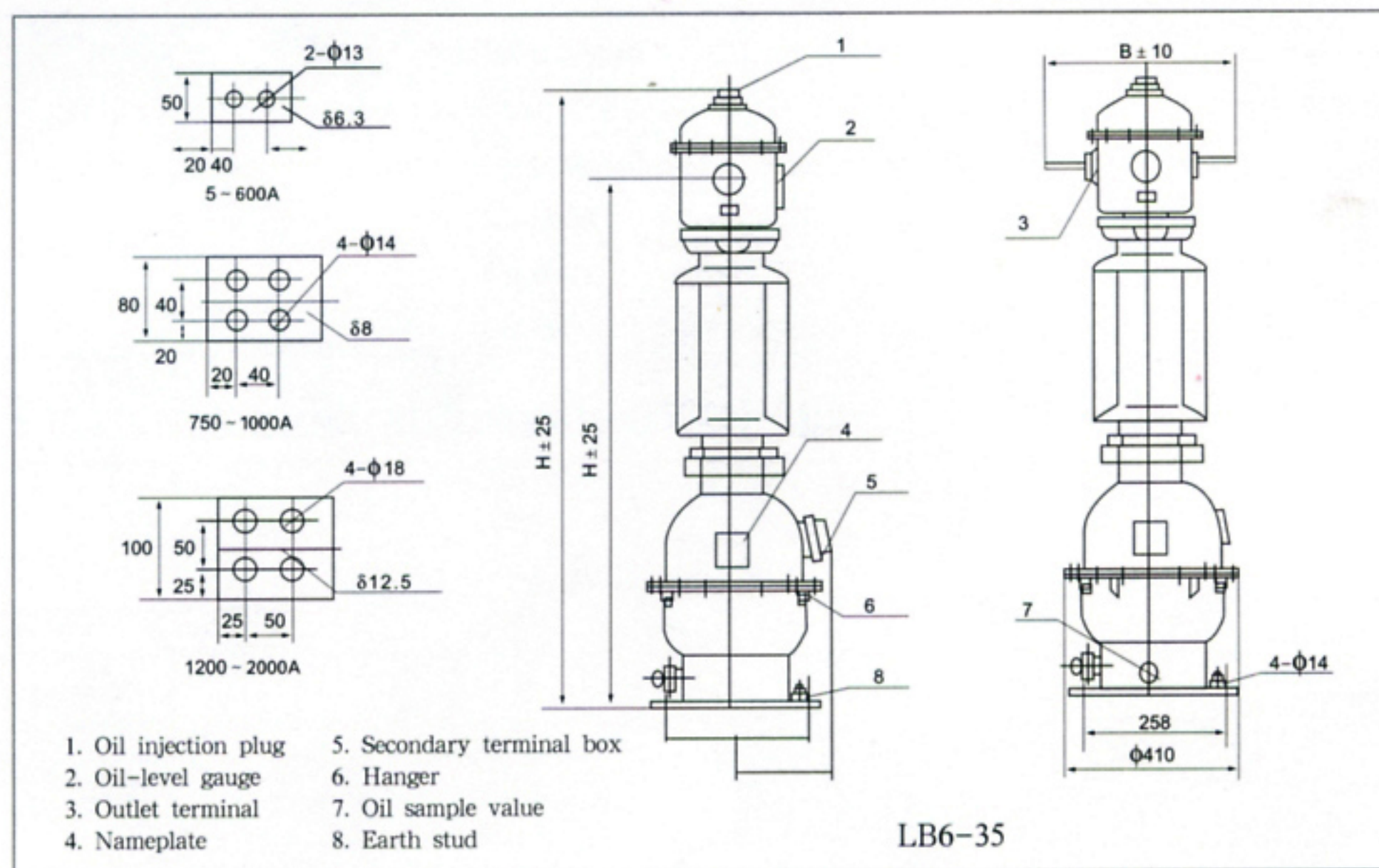
The technical data

- 1.1 Rated voltage: 35kV
- 1.2 Maximum working voltage: 40.5kV.
- 1.3 Rated primary current: 5, 10, 15, 20, 30, 40, 50, 75,100,150, 200, 300, 400, 500, 600, 750, 800, 1000, 1200, 1500, 2000A.
- 1.4 Rated secondary current: 5A.



Rated primary current (A)	5-75A	100-600A	750-1000A	1200-1500A	2000A
B	508		548	588	658
h		1315			1335
H		1475			1495
Oil weight	25		29		31
Total weight	160		190		205

LB6-35 Overall dimension



LAZBJ-10 Current Transformer Indoor Cast-resin Insulated

The technical data

1.1 The current transformer can keep working at rated current of 1.1 multiple.

1.2 Power frequency testing voltage: between the primary and secondary to earthing of voltage 42KV for duration of 5 minutes and the secondary to earthing of voltage 2K, for duration 1 minute.

Rated primary current (A)	5,10,15,20,30,40,50, 75,100,150,200	300 400	500	600 800 1000
I_{th}/I_s (r.m.s) (kA)	90 I_{In}	75 I_{In}	60 I_{In}	50 I_{In}
$I_{dyn}(peak)$	160 I_{In}	135 I_{In}	110 I_{In}	90 I_{In}
Accuracy class and corresponding rated output (VA)		5 - 10		
for accuracy class 0.2S		10		
for accuracy class 0.2		10		
for accuracy class 0.5		15		
for accuracy class 1				
for accuracy class 10P10				
Frequency (Hz)		50		
Rated secondary current (A)		5		
Rated insulated level (kV)		11.5/42/75		

